

## <Section 1: Product and company information

### Product identifier

<b>Product name</b>	<b>AgarSqueezer</b>
<b>Substance name</b>	N/A
<b>Reach No.</b>	A registration number is not available for this substance as the substance or its uses are exempted from registration, the annual tonnage does not require a registration or the registration is envisaged for a later registration deadline

### Relevant identified uses of the substances or mixture and uses advised against

#### Relevant Identified uses

<b>Main use category</b>	Laboratory use
<b>Professional use spec</b>	R&D use only
<b>Identified used</b>	Laboratory chemicals

### Details of the supplier of the safety data sheet

<b>Company</b>	Idylle 68 boulevard de Port-Royal 75005 Paris France
<b>Technical phone</b>	+33184172227
<b>Email address</b>	<a href="mailto:contact@idylle-labs.com">contact@idylle-labs.com</a>

### Emergency phone number

<b>France</b>	112
<b>Other countries</b>	ORFILA (INRS) : + 33 (0)1 45 42 59 59

distributed in the US/Canada by:

**EAGLE BIOSCIENCES, INC.**

20A NW Blvd, Suite 112 Nashua, NH 03063

Phone: 617-419-2019 FAX: 617-419-1110

[www.EagleBio.com](http://www.EagleBio.com) info@eaglebio.com



**EAGLE**  
BIOSCIENCES

## Section 2: Technical information

### 1. Assembled view of Agarsqueezer

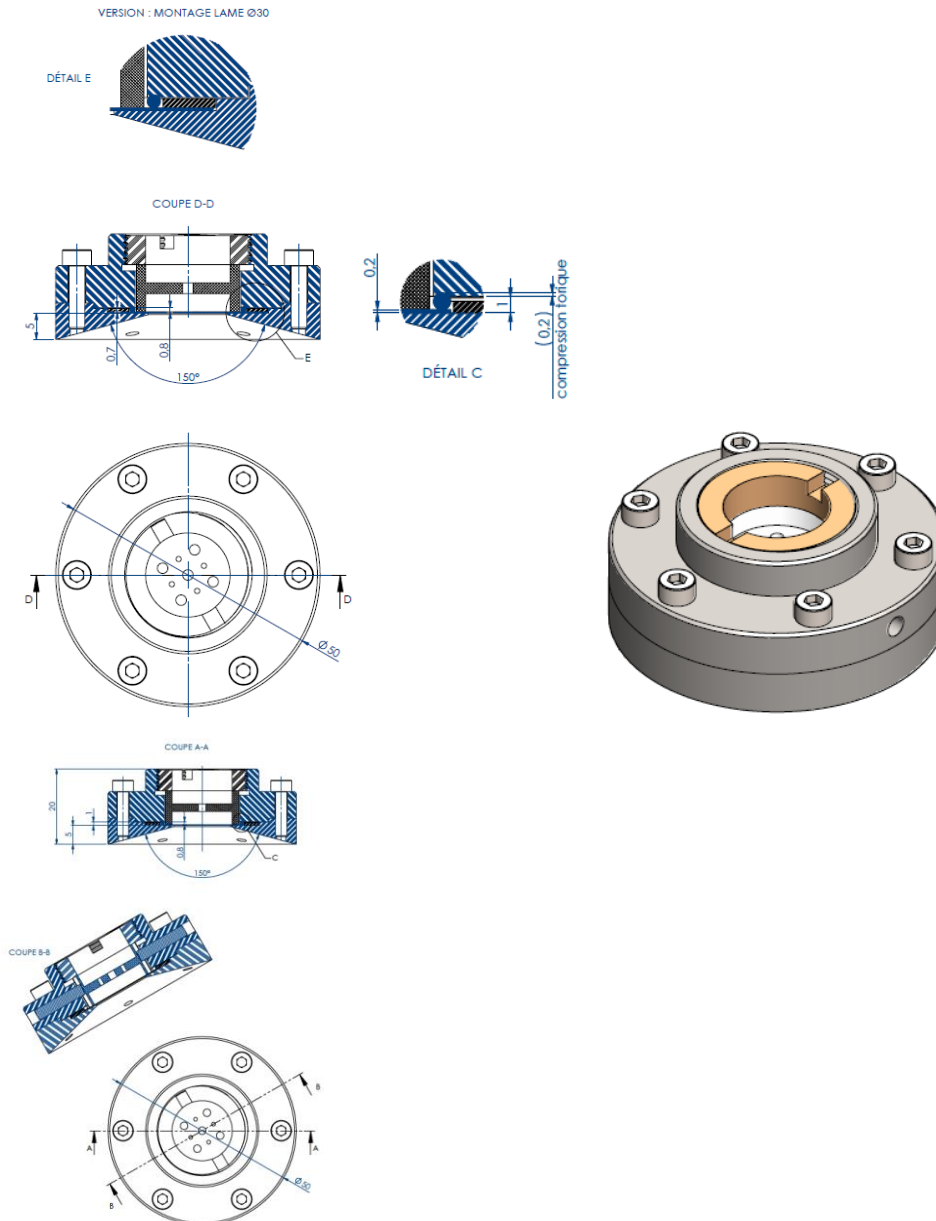
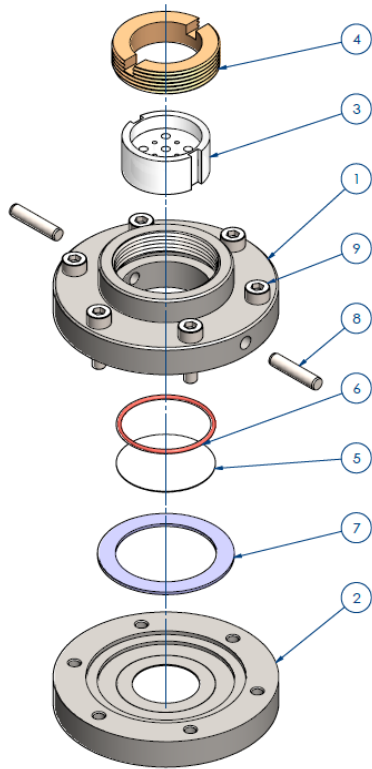


Figure 1 Assembled view of Agarsqueezer with dimensions

- Weight : 175 g

## 2. Exploded view of Agarsqueezer



REFERENCE	DESCRIPTION	QUANTITY
1	PISTON ENCLOSURE	1
2	LOWER PLATE	1
3	AGAR HOLDER	1
4	CLAMPING HOLDER NUT	1
5	GLASS BLADE 0.2mm	1
6	O-RING	1
7	BLADE WEDGE WASHER $\varnothing 22$	1
8	Cylindrical pin ISO 2338 3h8 x 14 A1	2
9	SCREW ISO 4762 M3x12 - 12C	6

Figure 2 : exploded view of Agarsqueezer

## 2.1. Lower Plate

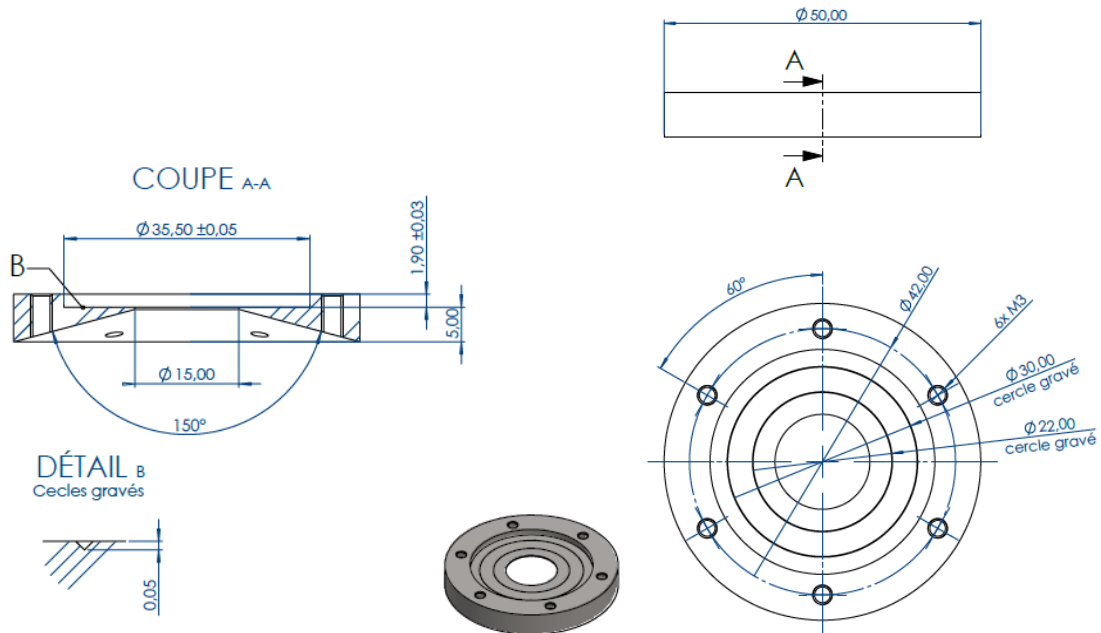


Figure 3 Dimensions for lower plate

- Material : 1.4310 (X10CrNi18-8)
- Weight : 56.6 g
- Tolerance for metric screw threads based on ISO 965-2
- General tolerances : ISO2768-mK

## 2.2 Piston Enclosure

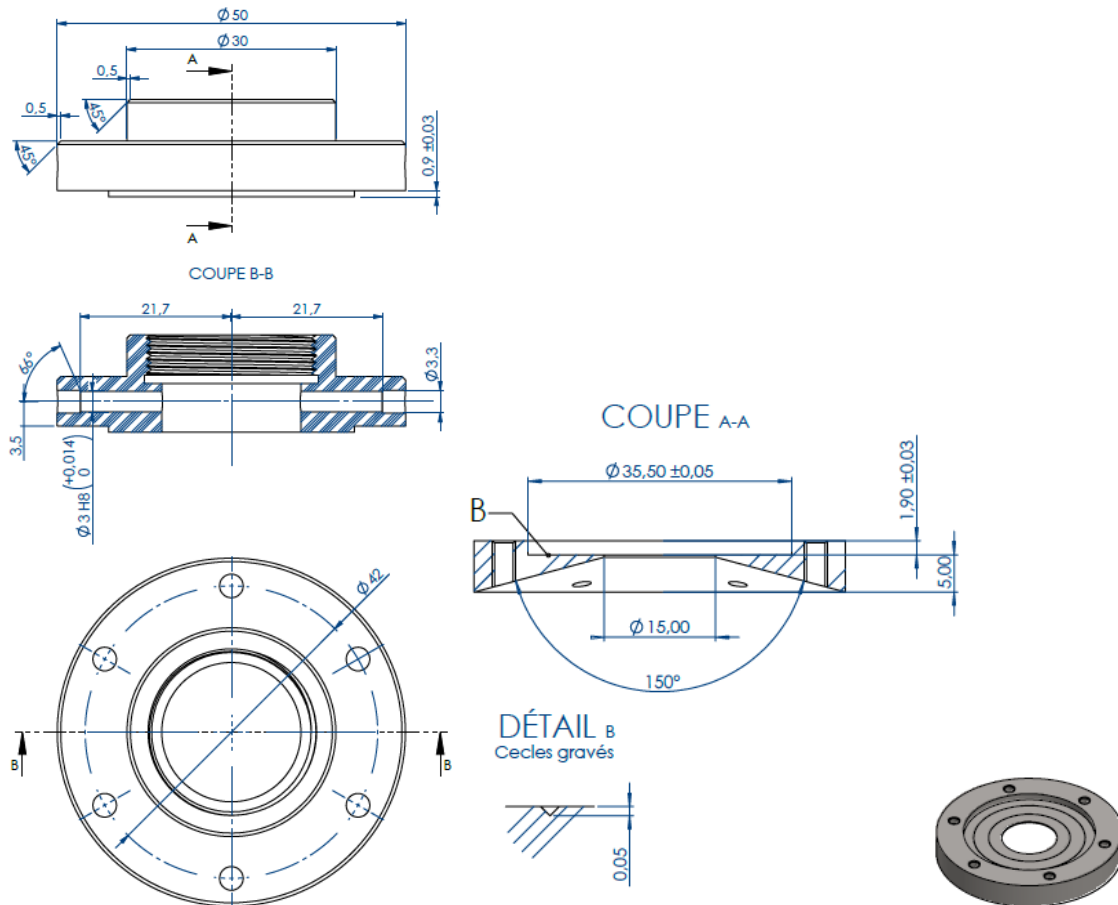


Figure 4 : Dimensions for piston enclosure

- Material : 1.4310 (X10CrNi18-8)
- Weight : 103 g
- Volume : 13 cm<sup>3</sup>
- Tolerance for metric screw threads based on ISO 965-2
- General tolerances : ISO2768-mK

## 2.3 Agar holder

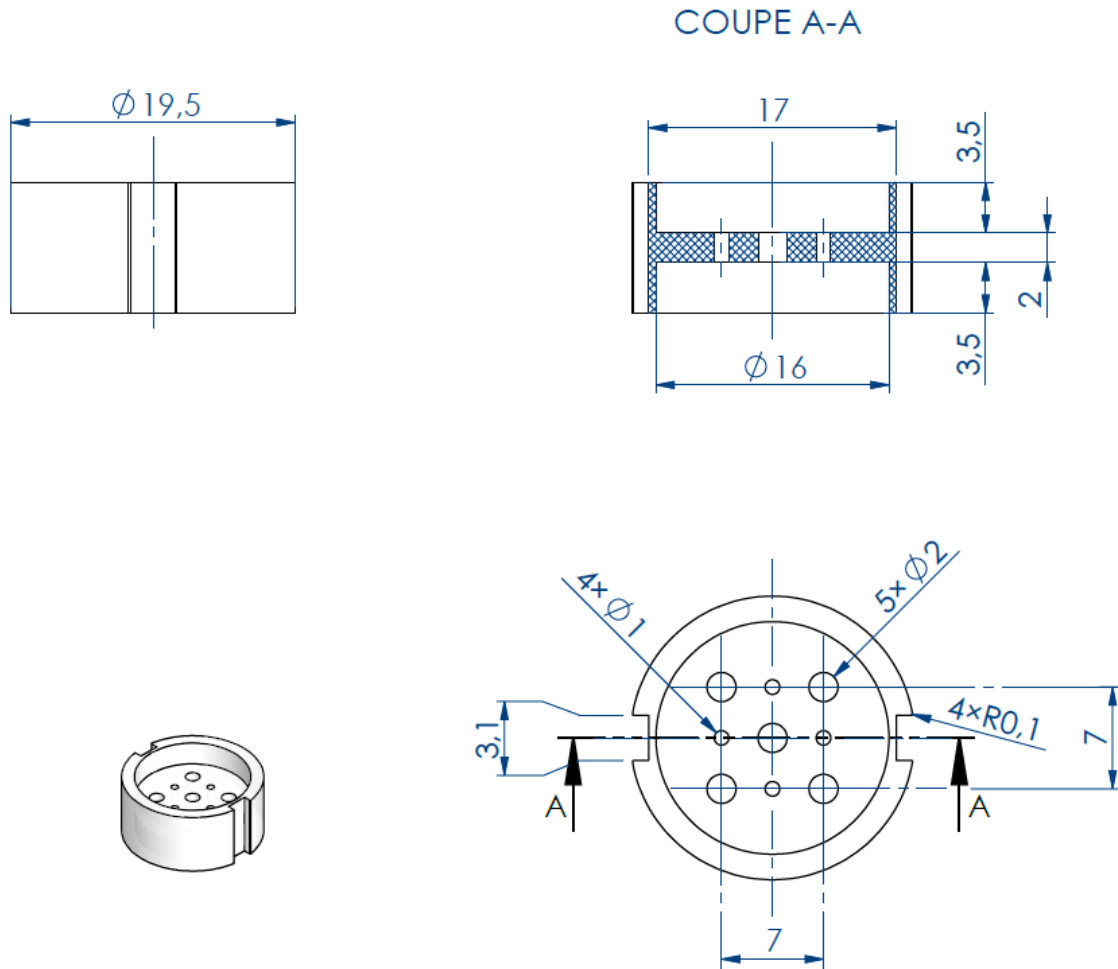


Figure 5 Dimensions for agar holder

- Material : PC high viscosity
- Weight : 1.3 g
- Tolerance for metric screw threads based on ISO 965-2
- General tolerances : ISO2768-mK

## 2.4 Clamping holder nut

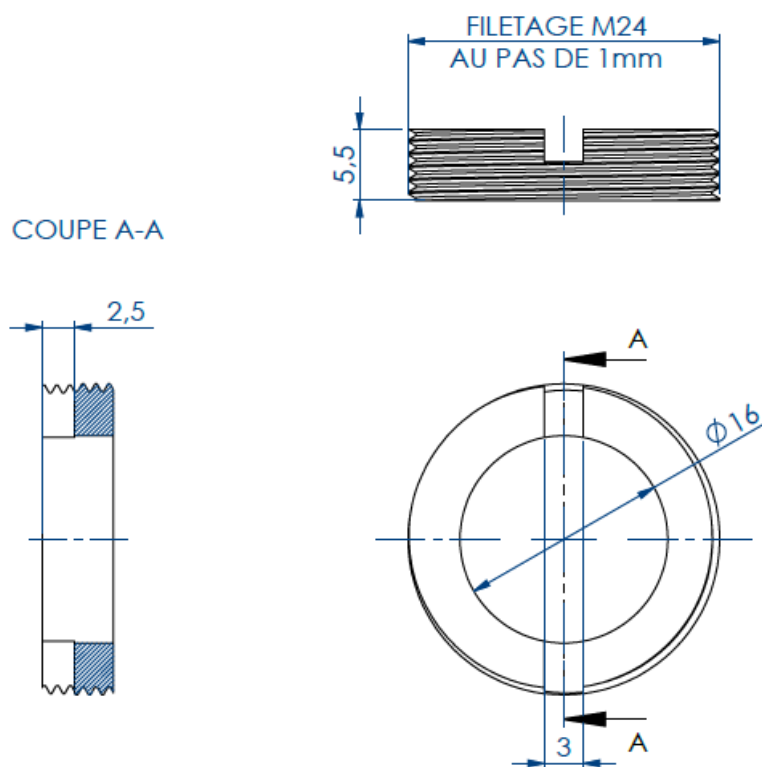
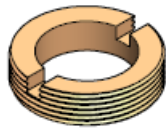


Figure 6 Dimensions for clamping holder nut

- Material : 1.4310 (X10CrNi18-8)
- Weight : 9.4 g
- Tolerance for metric screw threads based on ISO 965-2
- General tolerances : ISO2768-mK

## 2.5 Glass blade (not sold with Agarsqueezer)

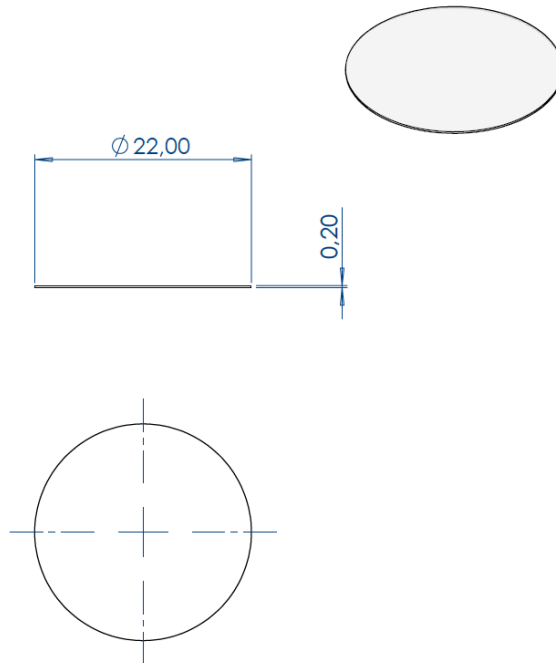
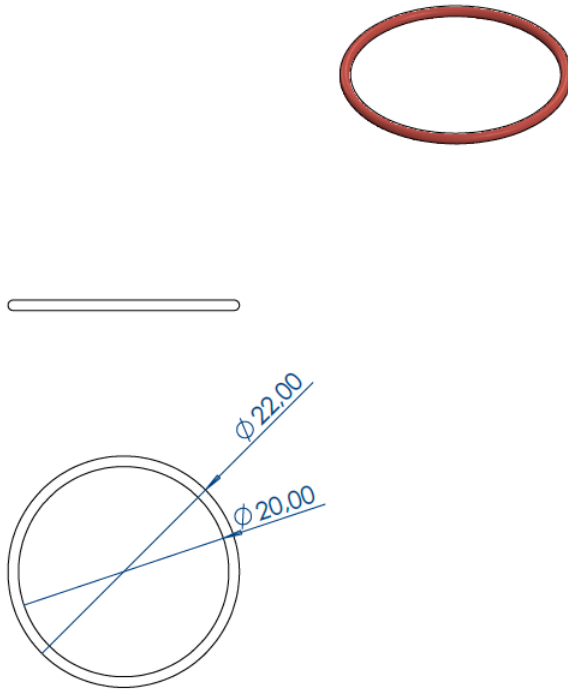


Figure 7 Dimensions for glass blade 0.2mm

- Material : Glass
- Weight : 0.1 g
- Tolerance for metric screw threads based on ISO 965-2
- General tolerances : ISO2768-mK
- Glass blade with 30mm diameter can also be used. In that case, do not use the blade wedge washer  $\varnothing 22$  (see section **2.7**). These 22 and 30 mm diameter blades are not supplied.



## 2.6 O-ring



*Figure 8 Dimensions for O-ring*

- Material : Rubber
- Weight : 0 g
- Tolerance for metric screw threadsbased on ISO 965-2
- General tolerances : ISO2768-mK

## 2.7 Blade wedge washer Ø22

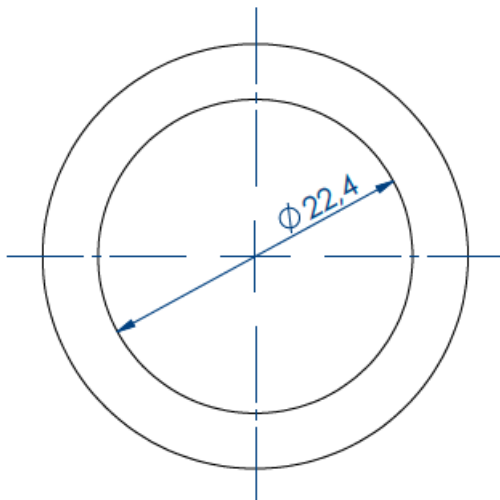
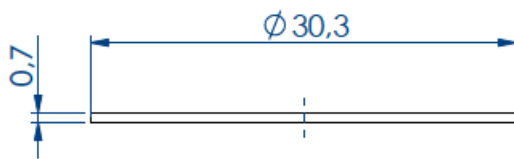
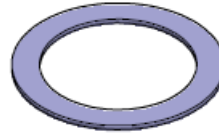


Figure 9 Dimensions of blade wedge washer Ø22

- Material : 1.4310 (X10CrNi18-8)
- Weight : 1.8 g
- Tolerance for metric screw threads based on ISO 965-2
- General tolerances : ISO2768-mK

## 2.8 Centering and tightening tool

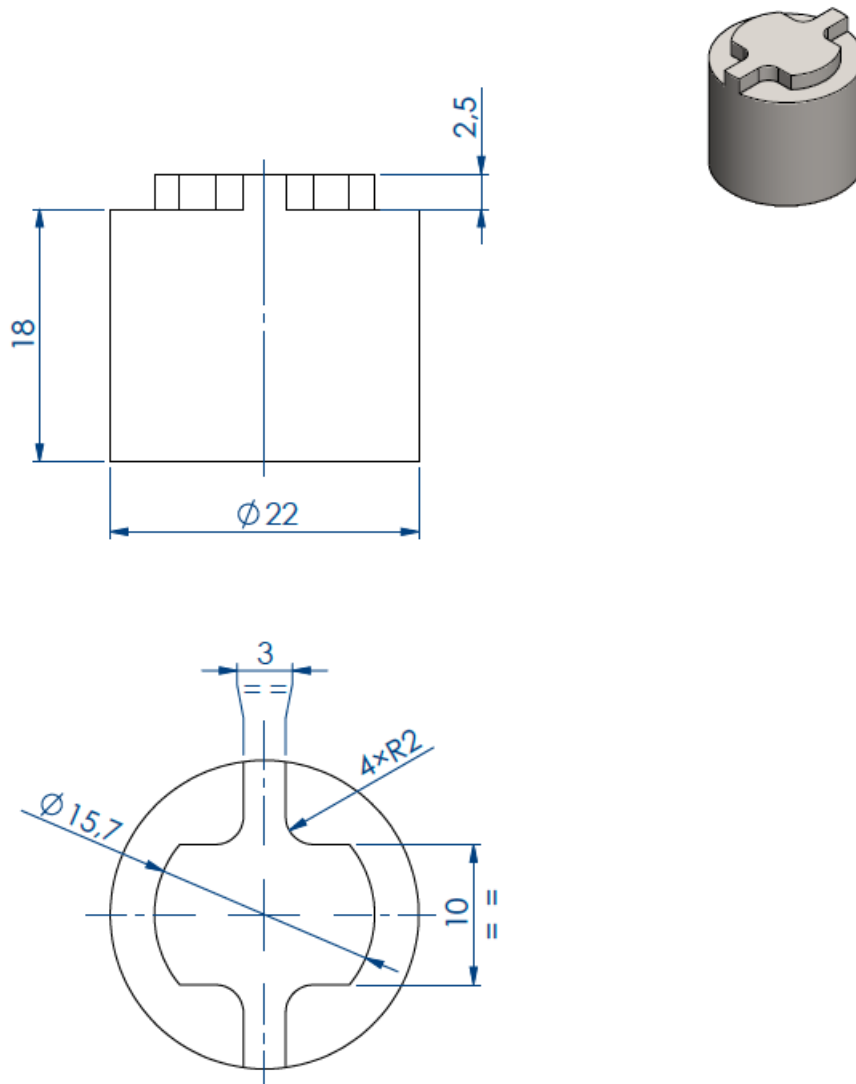


Figure 10 Dimensions of centering and tightening tool

- Material : AISI 304
- Weight : 58.4 g
- Tolerance for metric screw threads based on ISO 965-2
- General tolerances : ISO2768-mK

## 2.9 Silicium wafer

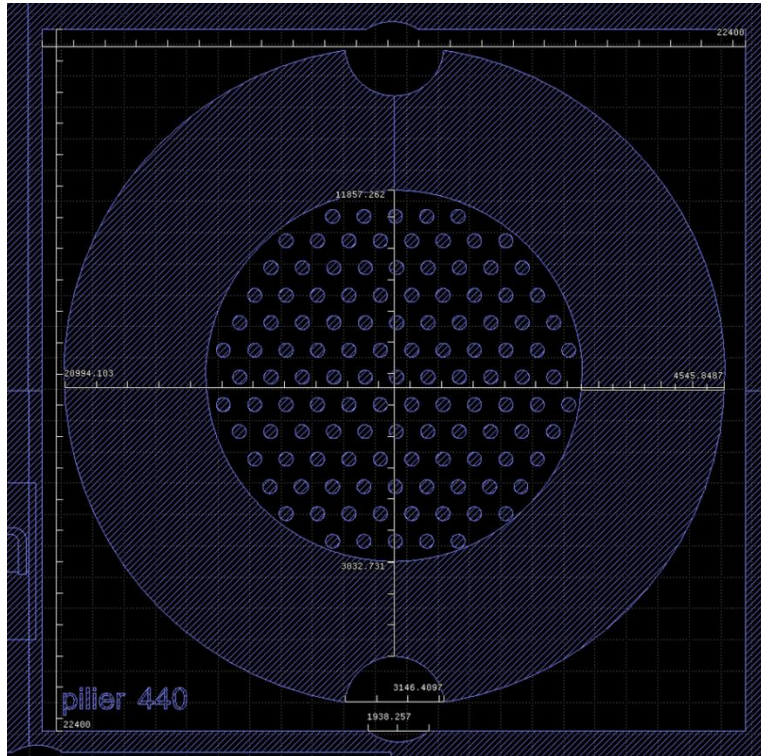


Figure 11 Dimensions of silicium wafer

- Material : Silicium Prime type SEMI-standard
- Doped with phosphor
- Resistivity : 1-30  $\Omega$ .cm
- Orientation : <100>
- Thickness : 525  $\mu$ m (+/- 25  $\mu$ m)



According to Regulation (EC) No. 1907/2006(REACH) with its amendment Regulation (EC) No. 453/2010-830/2015

## **2.11 Stainless steel tubing**

### **2.11.1 20G stainless steel tubing**



*Figure 13 Picture of 20G stainless steel tubing from Coopers Needle Works Limited*

- Material : Stainless Steel
- GAUGE : 20G
- OD (mm) : 0.89
- ID (mm) : 0.584
- Wall (mm) : 0.153

According to Regulation (EC) No. 1907/2006(REACH) with its amendment Regulation (EC) No. 453/2010-830/2015

### 2.11.2 16G stainless steel tubing



*Figure 14 Picture of 16G stainless steel tubing from Coopers Needle Works Limited*

- Material : Stainless Steel
- GAUGE : 16G
- OD (mm) : 1.65
- ID (mm) : 1.20
- Wall (mm) : 0.225